

Positioning bushings

for indexing plungers / cam action indexing plungers

SPECIFICATION

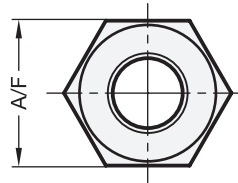
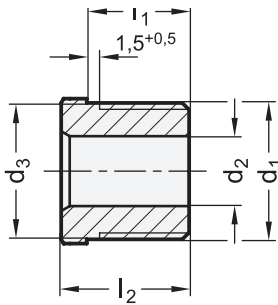
Steel

- hardened
- blackened

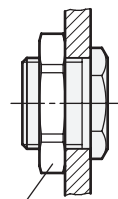
INFORMATION

Positioning bushings GN 412.2 are used in connection with bolts of indexing plungers and cam action indexing plungers.

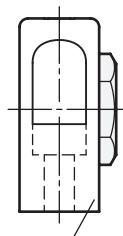
The threads are adapted to the mounting blocks GN 412.1 (see page 814) and GN 612.1 (see page 815).



Assembly examples

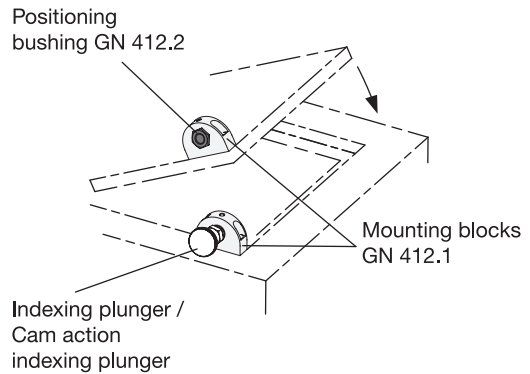


Flat hexagon nut GN 909



Mounting block GN 412.1

Application example



GN 412.2

Description	d1	d2 +0.1	d3 -0.05	l1 -0.2	l2	A/F	⚖
GN 412.2-M12x1,5-B4,2	M 12 x 1.5	B 4.2	12	10	13	13	11
GN 412.2-M12x1,5-B5,2	M 12 x 1.5	B 5.2	12	10	13	13	11
GN 412.2-M12x1,5-B6,2	M 12 x 1.5	B 6.2	12	10	13	13	10
GN 412.2-M16x1,5-B8,2	M 16 x 1.5	B 8.2	16	12	15	17	19
GN 412.2-M16x1,5-B10,2	M 16 x 1.5	B 10.2	16	12	15	17	15
GN 412.2-M16x1,5-B12,2	M 16 x 1.5	B 12.2	16	12	15	17	10

